

Светодиодные волоконно-оптические источники света MC-LS, CV-LS серии ColdVision

Технические характеристики

По вопросам продаж и поддержки обращайтесь:

Алматы (727)345-47-04
Ангарск (3955)60-70-56
Архангельск (8182)63-90-72
Астрахань (8512)99-46-04
Барнаул (3852)73-04-60
Белгород (4722)40-23-64
Благовещенск (4162)22-76-07
Брянск (4832)59-03-52
Владивосток (423)249-28-31
Владикавказ (8672)28-90-48
Владимир (4922)49-43-18
Волгоград (844)278-03-48
Вологда (8172)26-41-59
Воронеж (473)204-51-73
Екатеринбург (343)384-55-89

Иваново (4932)77-34-06
Ижевск (3412)26-03-58
Иркутск (395)279-98-46
Казань (843)206-01-48
Калининград (4012)72-03-81
Калуга (4842)92-23-67
Кемерово (3842)65-04-62
Киров (8332)68-02-04
Коломна (4966)23-41-49
Кострома (4942)77-07-48
Краснодар (861)203-40-90
Красноярск (391)204-63-61
Курск (4712)77-13-04
Курган (3522)50-90-47
Липецк (4742)52-20-81

Магнитогорск (3519)55-03-13
Москва (495)268-04-70
Мурманск (8152)59-64-93
Набережные Челны (8552)20-53-41
Нижний Новгород (831)429-08-12
Новокузнецк (3843)20-46-81
Ноябрьск (3496)41-32-12
Новосибирск (383)227-86-73
Омск (3812)21-46-40
Орел (4862)44-53-42
Оренбург (3532)37-68-04
Пенза (8412)22-31-16
Петрозаводск (8142)55-98-37
Псков (8112)59-10-37
Пермь (342)205-81-47

Ростов-на-Дону (863)308-18-15
Рязань (4912)46-61-64
Самара (846)206-03-16
Санкт-Петербург (812)309-46-40
Саратов (845)249-38-78
Севастополь (8692)22-31-93
Саранск (8342)22-96-24
Симферополь (3652)67-13-56
Смоленск (4812)29-41-54
Сочи (862)225-72-31
Ставрополь (8652)20-65-13
Сургут (3462)77-98-35
Сыктывкар (8212)25-95-17
Тамбов (4752)50-40-97
Тверь (4822)63-31-35

Тольятти (8482)63-91-07
Томск (3822)98-41-53
Тула (4872)33-79-87
Тюмень (3452)66-21-18
Ульяновск (8422)24-23-59
Улан-Удэ (3012)59-97-51
Уфа (347)229-48-12
Хабаровск (4212)92-98-04
Чебоксары (8352)28-53-07
Челябинск (351)202-03-61
Череповец (8202)49-02-64
Чита (3022)38-34-83
Якутск (4112)23-90-97
Ярославль (4852)69-52-93

Россия +7(495)268-04-70

Казахстан +(727)345-47-04

Беларусь +(375)257-127-884

Узбекистан +998(71)205-18-59

Киргизия +996(312)96-26-47

эл.почта: sqh@nt-rt.ru || сайт: <https://schott.nt-rt.ru/>

ColdVision CV-LS LED Light Source

for machine vision applications



The CV-LS light source is the flagship of the SCHOTT ColdVision series, offering high efficiency output in a compact footprint with versatile connectivity. This connectivity makes it ideal for machine vision applications, while the high brightness LED light engine greatly increases light output – far beyond 150 W EKE halogen lamp levels for the cool white model.

Features

- Internal light feedback stabilization.
- Fast triggered strobe (25µs rise time, 1µs precision).
- Analog and digital remote control: USB (Virtual RS232), RS232, Dual Ethernet, Mutliport-Wide range power supply according to international standards.
- Cool White, Warm White, and RGBW models are available.

Advantages

- All connectors come with retention mechanisms.
- High resistance to vibration and shock.
- ESD immunity.
- Maintenance-free LED engine with 50,000 operating hours.

Technical Specifications

Color	Wavelength CCT	Light Output ²	Part No. ¹	Active light guide diameter
Cool White	6000K	1350lm ⁴	A20980/6000K	Max. 13 mm / 0.51" inch
Warm White	3000K	900lm	A20980/3000k	
Red Ch.	625nm	130lm	A20980/RGBW	
Green Ch.	530nm	250lm		
Blue Ch.	460nm	70lm		
White Ch.	6300K	400lm		

General		
Dimensions (W x D x H)	(mm) / (inch)	129 x 201 x 59,69 / 5.08" x 7.93" x 2.35"
Weight	(kg) / (lbs)	Approx. 0,816 / 1.8
Cooling		Fan

Certificates	
Conformity	
EMC-class	A

Electrical		
Operating voltage, frequency		100 – 240 V ~, 50 – 60 Hz
Input voltage	(V)	24
Power consumption	(VA)	max. 120
Protection class power supply		I
Protection class light source		III
Overvoltage category		II
Lamp type		24 High power LED
Lamp lifetime	(h)	50,000 ³

Accessories:

Power cord 1.8 m	
EU Plug: IEC-C13 to CEE 7/7	H09063.028
US Plug: IEC-C13 to NEMA 5-15	H09063.026
UK Plug: IEC-C13 to BS 1363	H09063.027

Note: country specific power cord must be ordered separately!

¹ Full part numbers will also specify power supply cord type.

² Measured using a SCHOTT fiber optic light guide, Ø 13 mm active, length 1 m (A08051.40 bundle), 23C ambient, typical output

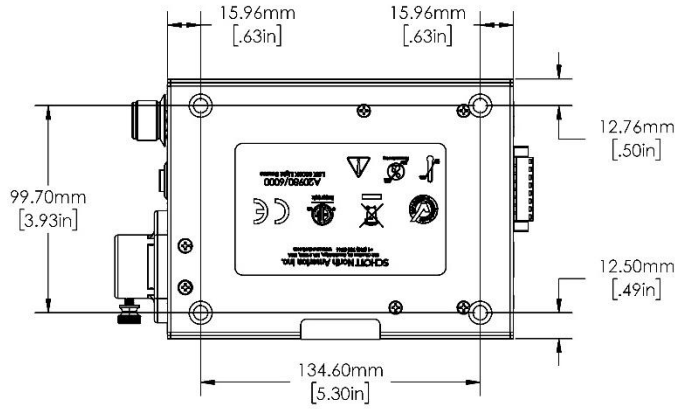
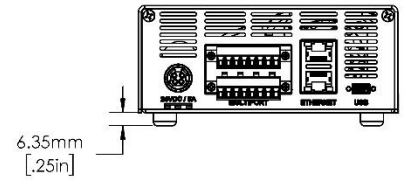
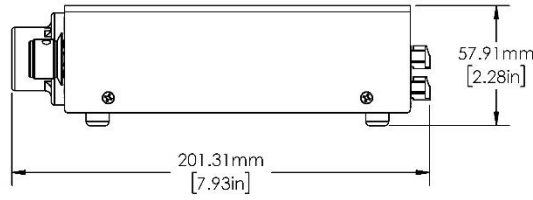
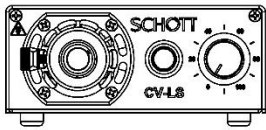
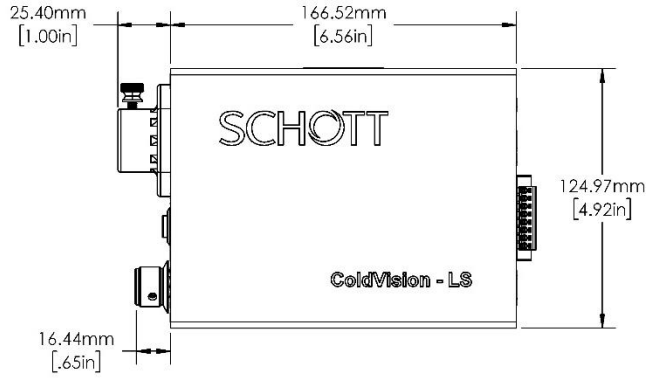
³ max. decline of light output to 70% of origin level

⁴ Default Setting 1100lm

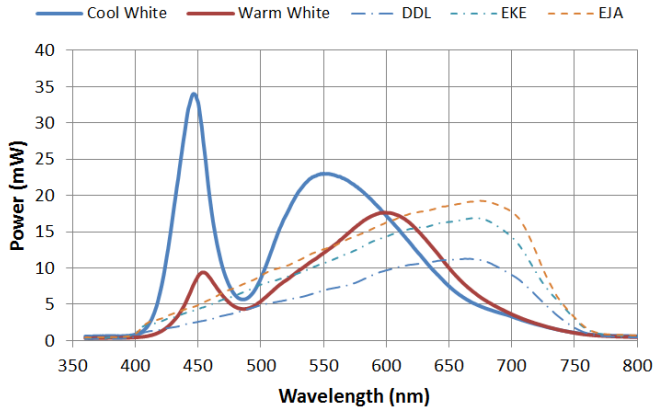
We provide a variety of accessories for our ColdVision Series.

For details; please refer to our system diagrams or according datasheets.

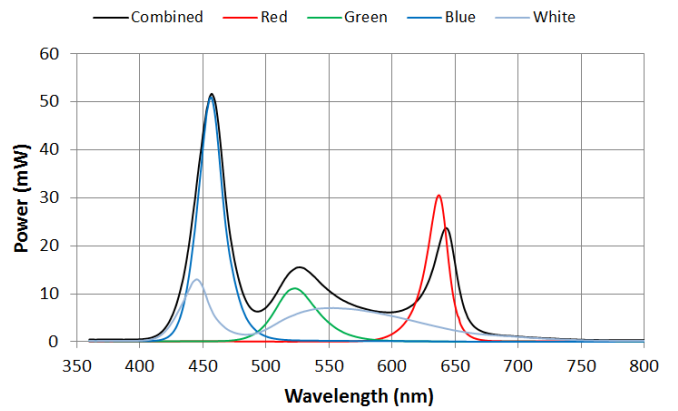
Dimensions



Relative Optical Spectrum of CV-LS vs Halogen Light Sources



RGBW Optical Spectrum



ColdVision MC-LS LED Light Source

for stereo microscopy applications



As the standard LED fiber optic light source in the SCHOTT ColdVision range, the MC-LS delivers exceptional light output from its high-brightness LED engine. Developed for stereo microscopy, the design of the light source makes it highly suitable for desktop usage, where its USB port can easily connect to application software systems.

Features

- Can be controlled by digital remote control via USB port (virtual RS232) or built-in 9-pin connector (analog)
- Wide range of power supplies, all compliant with international standards
- Continuous dimming from 0-100%
- Temperature monitoring for protection of the LED light engine

Advantages

- Robust industrial design with a small footprint and ultra-quiet operation
- High resistance to vibration and shock
- Long-life, high-efficiency, maintenance-free LED light engine
- Low power consumption
- Over 10% higher output than EKE halogen light sources²
- Stable light output with minimal variation in color temperature
- ETL approved, RoHS compliant
- Compatible with ColdVision light guides

Technical Specifications

General		
Part No.		A20990
Dimensions (W x D x H)	(mm) / (inch)	145 x 158 x 98 / 5.7" x 6.2" x 3.9"
Weight	(kg) / (lbs)	2.0 / 4.62
Cooling		Ultra low-noise fan
Electrical		
Operating voltage, frequency		100 – 240 V ~, 50 – 60 Hz
Input voltage	(V)	24
Power consumption	(VA)	max. 60
Protection class power supply		I
Protection class light source		III
Overvoltage category		II
Lamp type		High power COB module
Lamp lifetime	(h)	50,000 ¹
Light output		
Luminous flux	(lm)	850 ²
Color temperature	(K)	5,400
Active light guide diameter	(mm) / (inch)	Max. 13 / max. 0.51"
Certificates		
Conformity		
EMC-class		A

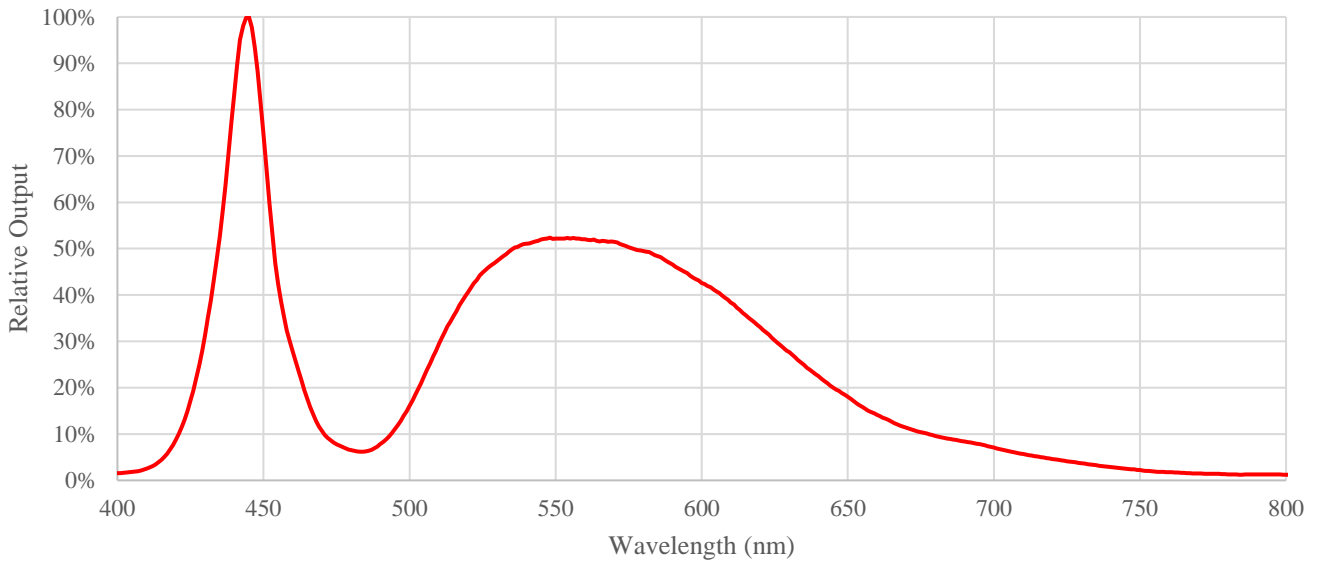
Accessories

Power cord 1.8 m	
EU Plug: IEC-C13 to CEE 7/7	H09063.028
US Plug: IEC-C13 to NEMA 5-15	H09063.026
UK Plug: IEC-C13 to BS 1363	H09063.027

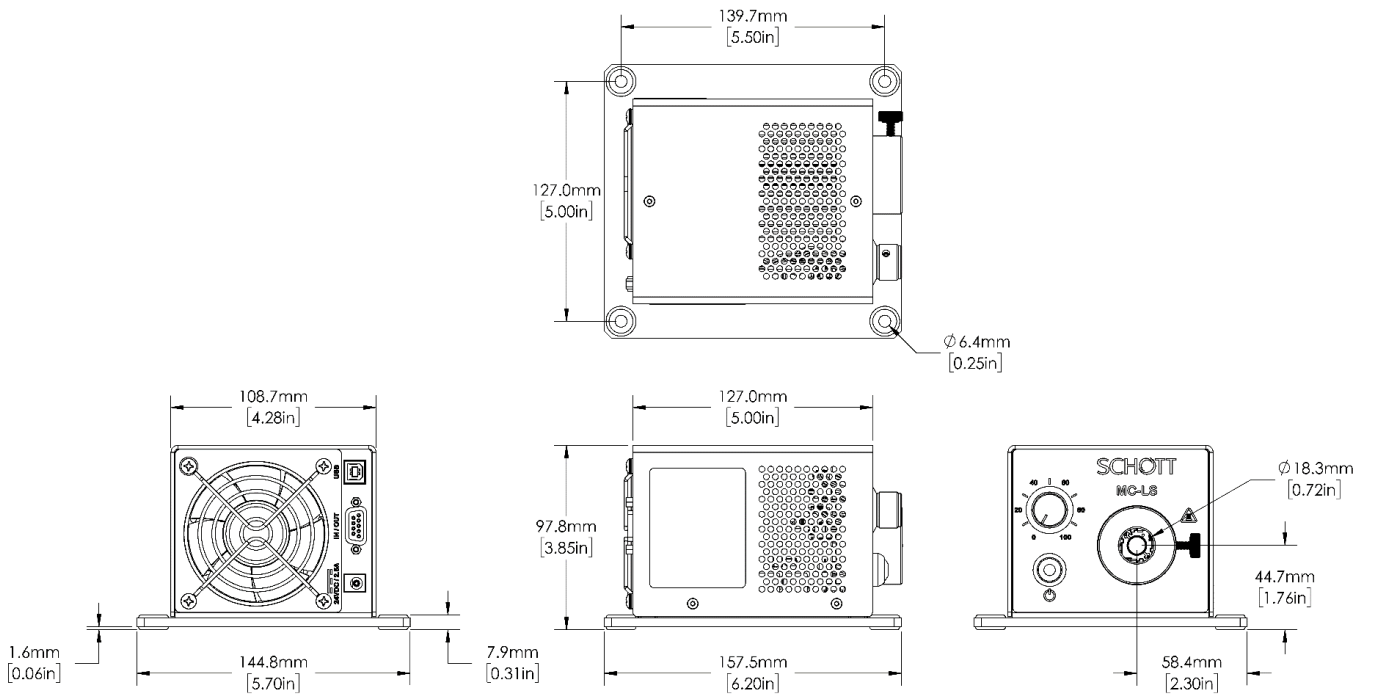
Note: country specific power cord must be ordered separately!

Illumination Characteristics

Relative Optical Spectrum



Dimensions



По вопросам продаж и поддержки обращайтесь:

Алматы (727)345-47-04
Ангарск (3955)60-70-56
Архангельск (8182)63-90-72
Астрахань (8512)99-46-04
Барнаул (3852)73-04-60
Белгород (4722)40-23-64
Благовещенск (4162)22-76-07
Брянск (4832)59-03-52
Владивосток (423)249-28-31
Владикавказ (8672)28-90-48
Владимир (4922)49-43-18
Волгоград (844)278-03-48
Вологда (8172)26-41-59
Воронеж (473)204-51-73
Екатеринбург (343)384-55-89

Иваново (4932)77-34-06
Ижевск (3412)26-03-58
Иркутск (395)279-98-46
Казань (843)206-01-48
Калининград (4012)72-03-81
Калуга (4842)92-23-67
Кемерово (3842)65-04-62
Киров (8332)68-02-04
Коломна (4966)23-41-49
Кострома (4942)77-07-48
Краснодар (861)203-40-90
Красноярск (391)204-63-61
Курск (4712)77-13-04
Курган (3522)50-90-47
Липецк (4742)52-20-81

Магнитогорск (3519)55-03-13
Москва (495)268-04-70
Мурманск (8152)59-64-93
Набережные Челны (8552)20-53-41
Нижний Новгород (831)429-08-12
Новокузнецк (3843)20-46-81
Ноябрьск (3496)41-32-12
Новосибирск (383)227-86-73
Омск (3812)21-46-40
Орел (4862)44-53-42
Оренбург (3532)37-68-04
Пенза (8412)22-31-16
Петрозаводск (8142)55-98-37
Псков (8112)59-10-37
Пермь (342)205-81-47

Ростов-на-Дону (863)308-18-15
Рязань (4912)46-61-64
Самара (846)206-03-16
Санкт-Петербург (812)309-46-40
Саратов (845)249-38-78
Севастополь (8692)22-31-93
Саранск (8342)22-96-24
Симферополь (3652)67-13-56
Смоленск (4812)29-41-54
Сочи (862)225-72-31
Ставрополь (8652)20-65-13
Сургут (3462)77-98-35
Сыктывкар (8212)25-95-17
Тамбов (4752)50-40-97
Тверь (4822)63-31-35

Тольятти (8482)63-91-07
Томск (3822)98-41-53
Тула (4872)33-79-87
Тюмень (3452)66-21-18
Ульяновск (8422)24-23-59
Улан-Удэ (3012)59-97-51
Уфа (347)229-48-12
Хабаровск (4212)92-98-04
Чебоксары (8352)28-53-07
Челябинск (351)202-03-61
Череповец (8202)49-02-64
Чита (3022)38-34-83
Якутск (4112)23-90-97
Ярославль (4852)69-52-93

Россия +7(495)268-04-70

Казахстан +(727)345-47-04

Беларусь +(375)257-127-884

Узбекистан +998(71)205-18-59

Киргизия +996(312)96-26-47

эл.почта: sqh@nt-rt.ru || сайт: <https://schott.nt-rt.ru/>