

# Волоконно-оптические источники света KL и аксессуары

## Технические характеристики

По вопросам продаж и поддержки обращайтесь:

Алматы (727)345-47-04  
Ангарск (3955)60-70-56  
Архангельск (8182)63-90-72  
Астрахань (8512)99-46-04  
Барнаул (3852)73-04-60  
Белгород (4722)40-23-64  
Благовещенск (4162)22-76-07  
Брянск (4832)59-03-52  
Владивосток (423)249-28-31  
Владикавказ (8672)28-90-48  
Владимир (4922)49-43-18  
Волгоград (844)278-03-48  
Вологда (8172)26-41-59  
Воронеж (473)204-51-73  
Екатеринбург (343)384-55-89

Иваново (4932)77-34-06  
Ижевск (3412)26-03-58  
Иркутск (395)279-98-46  
Казань (843)206-01-48  
Калининград (4012)72-03-81  
Калуга (4842)92-23-67  
Кемерово (3842)65-04-62  
Киров (8332)68-02-04  
Коломна (4966)23-41-49  
Кострома (4942)77-07-48  
Краснодар (861)203-40-90  
Красноярск (391)204-63-61  
Курск (4712)77-13-04  
Курган (3522)50-90-47  
Липецк (4742)52-20-81

Магнитогорск (3519)55-03-13  
Москва (495)268-04-70  
Мурманск (8152)59-64-93  
Набережные Челны (8552)20-53-41  
Нижний Новгород (831)429-08-12  
Новокузнецк (3843)20-46-81  
Ноябрьск (3496)41-32-12  
Новосибирск (383)227-86-73  
Омск (3812)21-46-40  
Орел (4862)44-53-42  
Оренбург (3532)37-68-04  
Пенза (8412)22-31-16  
Петрозаводск (8142)55-98-37  
Псков (8112)59-10-37  
Пермь (342)205-81-47

Ростов-на-Дону (863)308-18-15  
Рязань (4912)46-61-64  
Самара (846)206-03-16  
Санкт-Петербург (812)309-46-40  
Саратов (845)249-38-78  
Севастополь (8692)22-31-93  
Саранск (8342)22-96-24  
Симферополь (3652)67-13-56  
Смоленск (4812)29-41-54  
Сочи (862)225-72-31  
Ставрополь (8652)20-65-13  
Сургут (3462)77-98-35  
Сыктывкар (8212)25-95-17  
Тамбов (4752)50-40-97  
Тверь (4822)63-31-35

Тольятти (8482)63-91-07  
Томск (3822)98-41-53  
Тула (4872)33-79-87  
Тюмень (3452)66-21-18  
Ульяновск (8422)24-23-59  
Улан-Удэ (3012)59-97-51  
Уфа (347)229-48-12  
Хабаровск (4212)92-98-04  
Чебоксары (8352)28-53-07  
Челябинск (351)202-03-61  
Череповец (8202)49-02-64  
Чита (3022)38-34-83  
Якутск (4112)23-90-97  
Ярославль (4852)69-52-93

Россия +7(495)268-04-70

Казахстан +(727)345-47-04

Беларусь +(375)257-127-884

Узбекистан +998(71)205-18-59

Киргизия +996(312)96-26-47

эл.почта: [sqh@nt-rt.ru](mailto:sqh@nt-rt.ru) || сайт: <https://schott.nt-rt.ru/>

# KL 2500 LED Light Source

for stereo microscopy



The KL 2500 LED is the performance leader in advanced cold light sources with an LED light engine. With the highest light output and a wide range of special features, it's ideal for customers with specialist requirements.

### Features:

- Patented white light engine
- USB-Connectivity
- Electronic shutter function
- LCD display indicating brightness, operation mode or error code
- Intensity control with three sensitivities
- Two-position filter slider

### Advantages:

- Maximum lighting intensity of 1100 lm
- Connection for foot switch
- PC-controllable via USB
- Continuous dimming from 0-100%
- Extra-fine dimming option, down to 0.1% steps
- Maintenance-free LED engine with 50.000 operating hours

### Technical Specifications:

General		
Part No.		250.400
Dimensions (W x D x H)	(mm) / (inch)	114 x 231 x 137/4.5" x 9.1" x 5.4"
Weight	(kg)	Approx. 3.6
Cooling		Low-noise fan
Electrical		
Operating voltage, frequency		100 – 240 V ~, 50 – 60 Hz
Input voltage	(V)	24
Power consumption	(VA)	Max. 80
Protection class power supply		I
Protection class light source		III
Overvoltage category		II
Lamp type		9 High power LED white
Lamp lifetime	(h)	50.000 <sup>1</sup>
Light Output		
Luminous flux	(lm)	1.100 <sup>2</sup>
Color temperature	(K)	Approx. 5.600
Active light guide diameter	(mm) / (inch)	Max. 9/Max. 0.35"
Certificates		
Conformity		CE UK CA
EMC-class		B

<sup>1</sup> max. decline of light output to 70% of origin level

<sup>2</sup> at the output of SCHOTT fiber optic light guide, 1-arm, flexible, Ø 9 mm active, length 1,000 mm

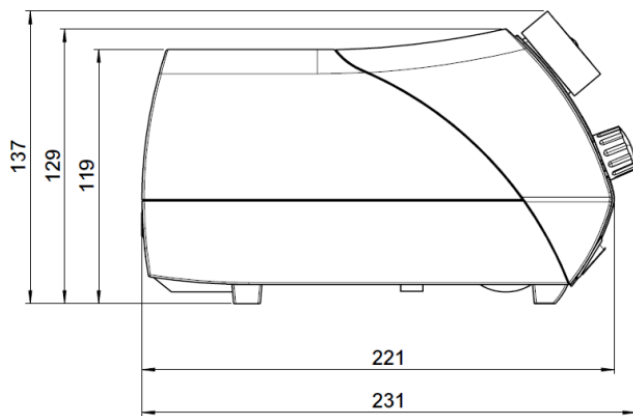
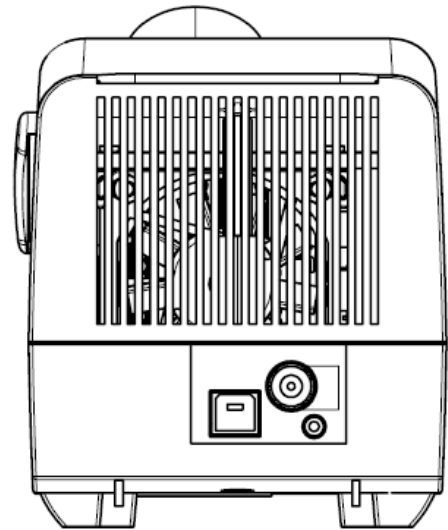
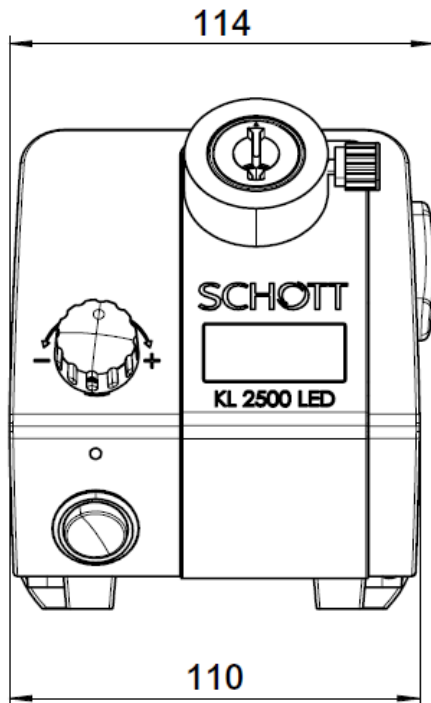
We provide a variety of accessories for our KL Series. For details please refer to our system diagrams or according datasheets.

### Accessories:

Footswitch	Part No.
Momentary	400.020
Light guide adapter	
For Megalight by SCHOTT Nippon K.K.	158.321
For ColdVision by SCHOTT North America	158.322
For Volpi and Photonic	158.323
Insert filter Ø 28 mm	
Blue	258.302
Red	258.303
Green	258.304
Yellow	258.305
Halogen	258.307
Power cord 1.8 m	
EU Plug: IEC-C13 to CEE 7/7	400.051
US Plug: IEC-C13 to NEMA 5-15	400.052
UK Plug: IEC-C13 to BS 1363	400.053
Swiss Plug: IEC-C13 to SEV1011	400.054

Note: country specific power cord must be ordered separately!

## Dimensions



Pictures are provided for illustration purposes only, and may not provide an accurate reflection of the actual product.

# KL 1600 LED Light Source

for stereo microscopy



A standard LED cold light source for fiber optics, the KL 1600 LED is an ideal option for all objects and applications. Its multiple-chip white LED light engine offers an attractive alternative to conventional halogen cold light sources.

### Features:

- Patented white light engine.
- Easy to use fixture mechanism with clamping screw.
- Two-position filter slider.

### Advantages:

- Maximum lighting intensity of 680 lm.
- Continuous dimming from 0-100%.
- Maintenance-free LED engine with 50.000 operating hours.

### Technical Specifications:

General		
Part No.		150.600
Dimensions (W x D x H)	(mm) / (inch)	114 x 231 x 137/4.5" x 9.1" x 5.4"
Weight	(kg)	Approx. 2.45
Cooling		Ultra low-noise fan
Electrical		
Operating voltage, frequency		100 – 240 V ~, 50 – 60 Hz
Input voltage	(V)	24
Power consumption	(VA)	max. 37
Protection class power supply		I
Protection class light source		III
Overvoltage category		II
Lamp type		9 High power LED white
Lamp lifetime	(h)	50,000 <sup>1</sup>
Light Output		
Luminous flux	(lm)	680 <sup>2</sup>
Color temperature	(K)	Approx. 5,600
Active light guide diameter	(mm) / (inch)	Max. 9 / max. 0.35"
Certificates		
Conformity		CE UK CA
EMC-class		B

<sup>1</sup> max. decline of light output to 70% of origin level

<sup>2</sup> at the output of SCHOTT fiber optic light guide, 1-arm, flexible, Ø 9 mm active, length 1,000 mm

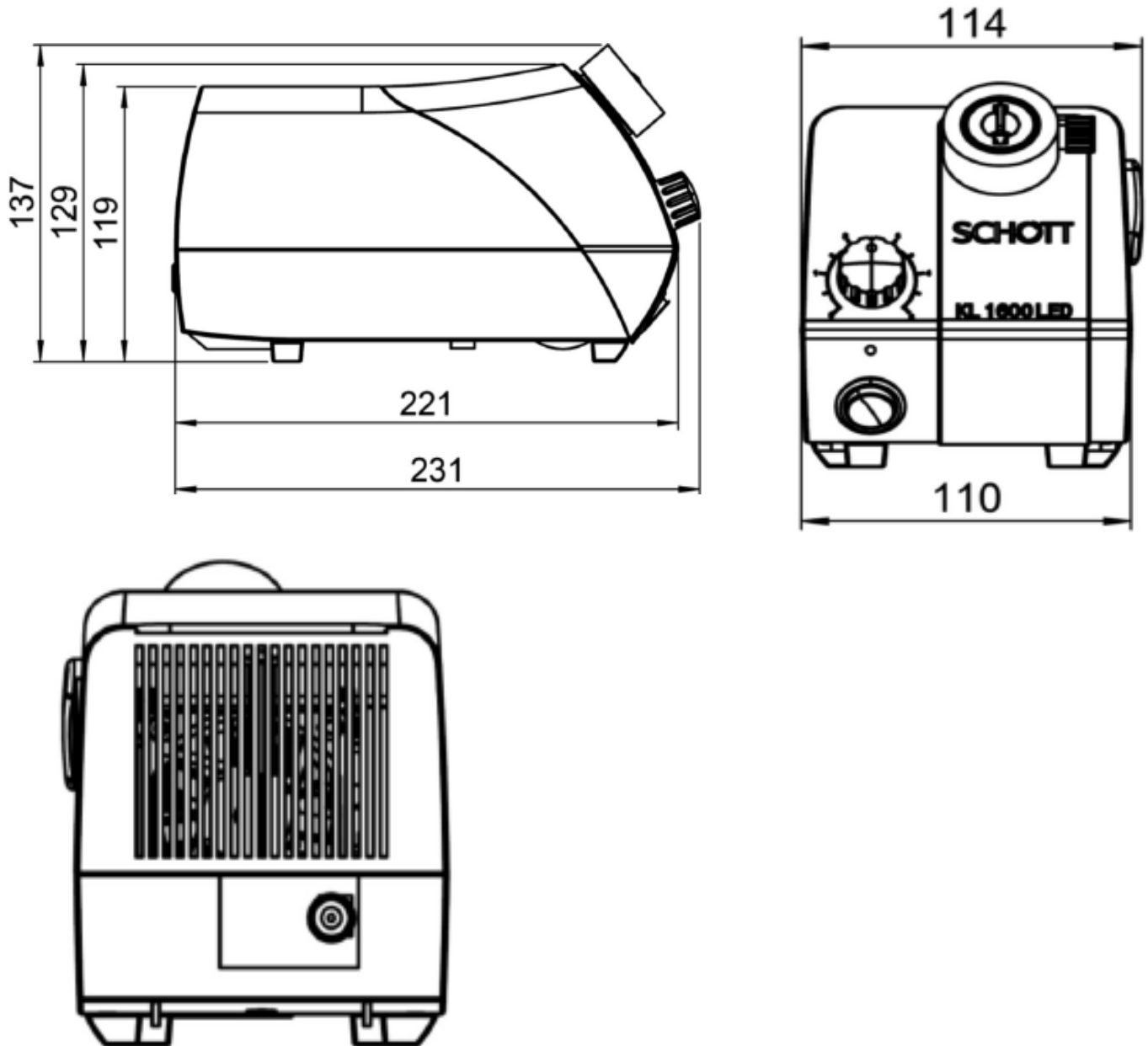
We provide a variety of accessories for our KL Series. For details please refer to our system diagrams or according datasheets.

### Accessories:

Light guide adapter	Part No.
For Megalight by SCHOTT Nippon K.K.	158.321
For ColdVision by SCHOTT North America	158.322
For Volpi and Photonic	158.323
Insert filter Ø 28 mm	
Blue	258.302
Red	258.303
Green	258.304
Yellow	258.305
Halogen	258.307
Power cord 1.8 m	
EU Plug: IEC-C13 to CEE 7/7	400.051
US Plug: IEC-C13 to NEMA 5-15	400.052
UK Plug: IEC-C13 to BS 1363	400.053
Swiss Plug: IEC-C13 to SEV1011	400.054

Note: country specific power cord must be ordered separately!

## Dimensions



Pictures are provided for illustration purposes only, and may not provide an accurate reflection of the actual product.

# KL 1500 HAL Light Source

for stereo microscopy



The KL 1500 HAL is a color-neutral professional halogen light source for fiber optic illumination. With the full 150-Watt halogen spectrum of CRI 100, it is designed to offer optimum performance for color-critical measurements.

### Features:

- High frequency illumination of 20 kHz
- Sensor interlock at the light guide socket
- LCD Display to monitor color temperature and light intensity
- Swing-in optics for homogenization of light output
- Two-position filter slider

### Advantages:

- Maximum lighting intensity of 600 lm
- Color rendering index of 100 for excellent performance
- Continuous dimming from 0-100 %

### Technical Specifications:

General		
Part No.		150.700
Dimensions (W x D x H)	(mm) / (inch)	200 x 286 x 147/7.9" x 11.3" x 5.8"
Weight	(kg)	Approx. 4.2
Cooling		Ultra low-noise fan
Electrical		
Operating voltage, frequency		100 – 240 V ~, 50 – 60 Hz
Input voltage	(V)	100 – 240 V
Power consumption	(VA)	180
Protection class light source		I
Overvoltage category		II
Lamp type		Halogen reflector lamp type EFR
Lamp lifetime in ECO Mode	(h)	1,500
Lamp voltage rating	(V)	15
Lamp power rating	(W)	150
Light Output		
Luminous flux	(lm)	600 <sup>1</sup>
Color temperature	(K)	2.000 – 3.400
Active light guide diameter	(mm) / (inch)	Max. 9/max. 0.35"
Certificates		
Conformity		CE UK CA
Approvals		CSB
EMC-class		B

### Accessories:

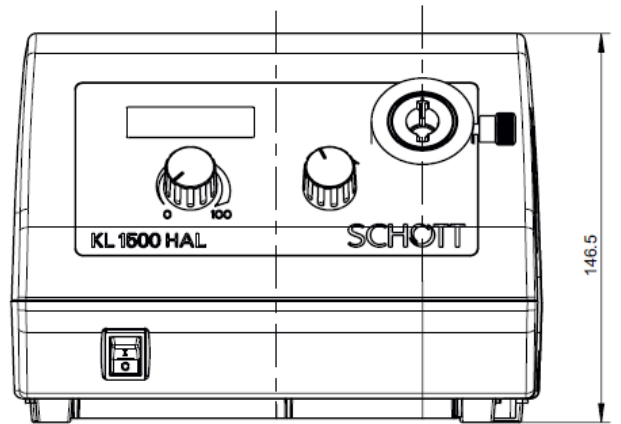
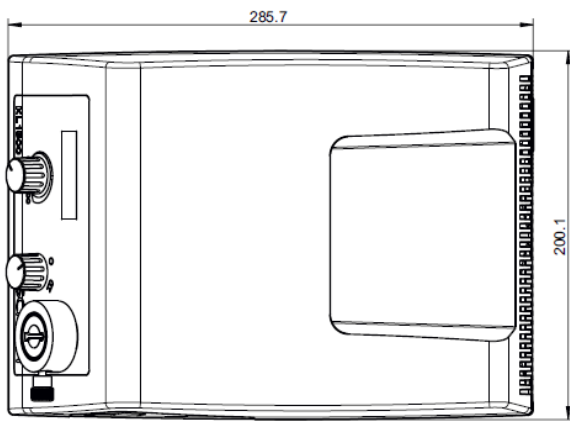
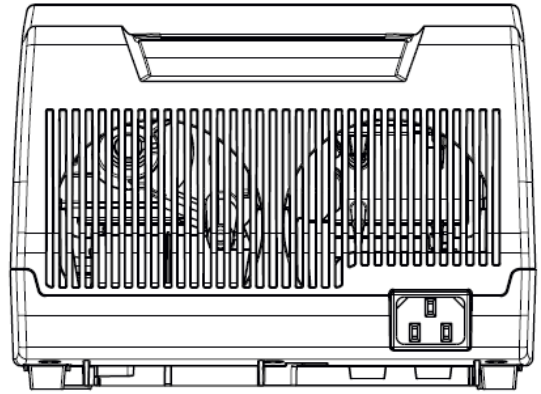
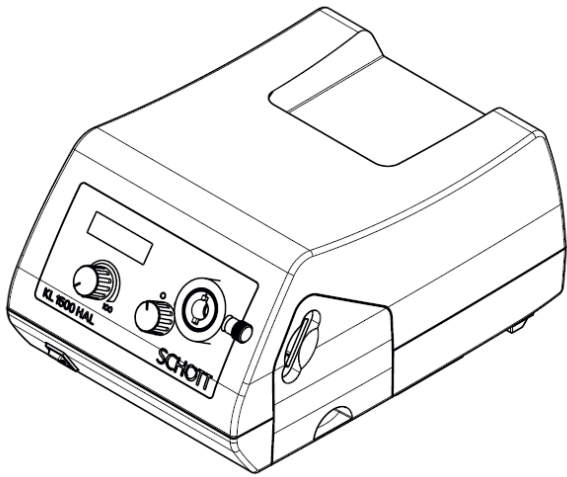
Replacement lamp	Part No.
Halogen bulb 15v / 150W	153.000
Light guide adapter	
For Volpi and Photonic	158.320
Insert filter Ø 28 mm	
Blue	258.302
Red	258.303
Green	258.304
Yellow	258.305
Daylight	258.306
Power cord 1.8 m	
EU Plug: IEC-C13 to CEE 7/7	400.051
US Plug: IEC-C13 to NEMA 5-15	400.052
UK Plug: IEC-C13 to BS 1363	400.053
Swiss Plug: IEC-C13 to SEV1011	400.054

Note: country specific power cord must be ordered separately!

<sup>1</sup> at the output of SCHOTT fiber optic light guide, 1-arm, flexible, Ø 9 mm active, length 1000 mm

We provide a variety of accessories for our KL Series. For details please refer to our system diagrams or according datasheets.

## Dimensions



Pictures are provided for illustration purposes only, and may not provide an accurate reflection of the actual product.

# KL 300 LED Light Source

for stereo microscopy



The KL 300 LED is a compact LED light source for fiber optics, offering simple operation combined with excellent value for money. These qualities make it ideally suited to routine inspections and education.

### Features:

- Compact design
- Directly mountable to stand or column
- Wide range power supply with international clip plug system

### Advantages:

- Maximum light intensity of 80 lm
- Continuous dimming from 0 to 100 %
- Optimized energy consumption (5W)
- Maintenance-free LED engine with 50.000 operating hours
- Fan-less convection cooling enables silent operations

### Technical Specifications:

General		
Part No.		120.300
Dimensions (W x D x H)	(mm) / (inch)	107 x 114 x 61 / 4.2" x 4.5" x 2.4"
Weight	(kg)	Approx. 0.35
Cooling		Convection
Electrical		
Operating voltage, frequency		100 – 240 V ~, 50 – 60 Hz
Input voltage	(V)	9
Power consumption	(VA)	max. 5
Protection class power supply		II
Protection class light source		III
Overvoltage category		II
Lamp type		1 High power LED white
Lamp lifetime	(h)	50,000 <sup>1</sup>
Light Output		
Luminous flux	(lm)	80 <sup>2</sup>
Color temperature	(K)	Approx. 5,600
Active light guide diameter	(mm) / (inch)	Max. 6/max. 0.23"
Certificates		
Conformity		CE UK CA
EMC-class		B

<sup>1</sup> max. decline of light output to 70% of origin level

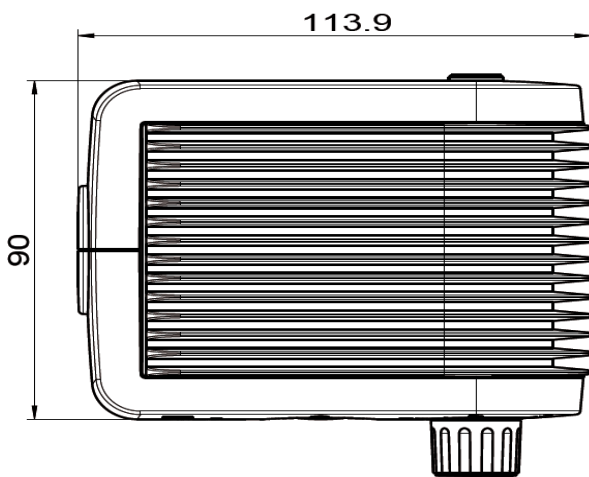
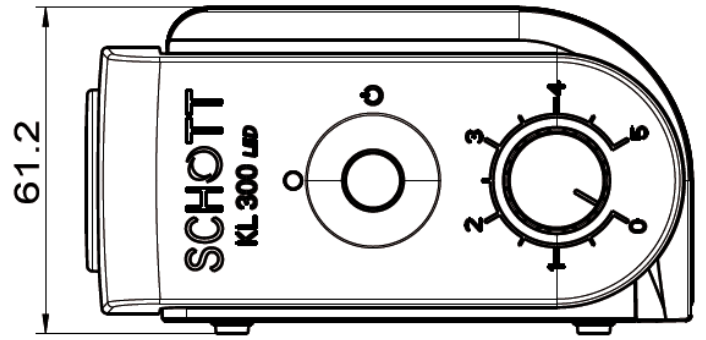
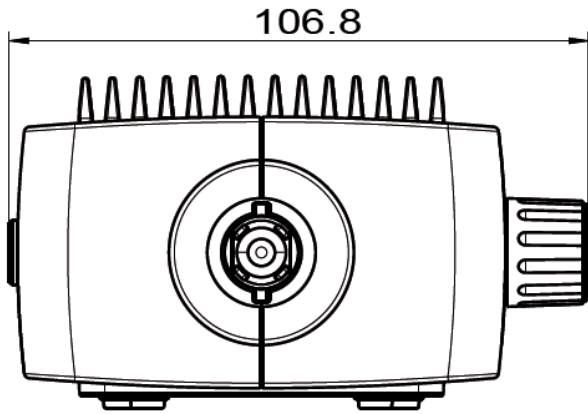
<sup>2</sup> at the output of SCHOTT fiber optic light guide, 1-arm, flexible, Ø 4.5 mm active, length 600 mm

### Accessories:

	Part No.
Base	158.340
Mounting bracket (Base also needed)	120.250
Bracket for column Ø 20 mm (0.78")	120.220
Bracket for column Ø 25 mm (0.98")	120.225
Bracket for column Ø 29 mm (1.14")	120.229
Bracket for column Ø 32 mm (1.26")	120.232
Bracket for column Ø 35 mm (1.38")	120.235
Bracket for ZEISS stand K, Stand M	120.240

We provide a variety of accessories for our KL Series. For details please refer to our system diagrams or according datasheets.

## Dimensions



Pictures are provided for illustration purposes only, and may not provide an accurate reflection of the actual product.

# KL Accessories

## Accessories for KL Light Sources



SCHOTT offers a variety of mechanical and optical accessories to increase the flexibility of its KL Light Sources. They include color filters, mounting brackets and electrical accessories such as a footswitch.

### Features:

- Daylight and halogen filters available.
- Color filters available in red, blue, green and yellow.
- Mounting brackets for column Ø from 20 – 35 mm.
- Power cords strictly according to international standards.
- Footswitch for remote operations.

### Advantages:

- Compatible with a wide variety of OEM designs.
- Color filters with high transmission and unaffected by light-entrance angle.
- Additional contrast available with a range of filters.
- Mechanically designed for easy handling.

Accessories	Compatible Products	Characteristics	Part No.
Base	KL 300 LED		158.340
Mounting Bracket for Base	KL 300 LED		120.250
Mounting Bracket for Column		For Column Ø 20 mm (0.78")	120.220
		For Column Ø 25 mm (0.98")	120.225
		For Column Ø 29 mm (1.14")	120.229
		For Column Ø 32 mm (1.26")	120.232
		For Column Ø 35 mm (1.38")	120.235
		For ZEISS stand K, Stand M	120.240
Light Guide Adapter	KL 1600 LED KL 2500 LED	For Megalight by SCHOTT Nippon K.K.	158.321
		For ColdVision by SCHOTT North America	158.322
	KL 1500 HAL	For Volpi and Photonic	158.323
		For Volpi and Photonic	158.320
Filter Holder	KL 1500 HAL KL 1600 LED KL 2500 LED	Empty holder for insert filter Ø 28 mm (1.10")	258.330
Insert filter Ø 28 mm	KL 1500 HAL KL 1600 LED KL 2500 LED	Blue	258.302
		Red	258.303
		Green	258.304
		Yellow	258.305
	KL 1500 HAL	Daylight	258.306
	KL 1600 LED KL 2500 LED	Halogen	258.307
	KL 2500 LED	For fluorescence excitation blue $\lambda = 450$ nm	258.313
		For fluorescence excitation green $\lambda = 540$ nm	258.314
Power cord 1.8 m	KL 1500 HAL KL 1600 LED KL 2500 LED	EU Plug: IEC-C13 to CEE 7/7	400.051
		US Plug: IEC-C13 to NEMA 5-15	400.052
		UK Plug: IEC-C13 to BS 1363	400.053
		Swiss Plug: IEC-C13 to SEV1011	400.054
Footswitch	KL 2500 LED	Momentary	400.020

## Mechanical Accessories for KL Light Guides



SCHOTT offers a variety of mechanical accessories to precisely position its KL Light Guides at the required point. Accessories include an articulated arm and base, as well as holders for different size light guides, focusing lenses and adapters for ring lights.

### Features:

- Stable design
- Easy handling
- Adapter for different lens sizes available

### Advantages:

- Precise positioning of light guides
- Compatible with different OEM designs

## Types

Accessories	Compatible Products	Characteristics	Part No.	
Holder	For Annular Ring Lights	1x M6 thread	157.430	
	For Flexible Light Guides	Ø up to 5.0 mm (0.20")	1x M6 thread	158.330
		Ø 8.0 mm + 9.0 mm (0.31" + 0.35")	1x M6 thread	158.335
		Ø 12.0 + 15.0 mm (0.47" + 0.59")	3x M6 threads	157.430
	For Focusing Lenses	Ø up to 5.0 mm (0.20")		158.341
Ø 8.0 mm (0.31")			157.430	
Articulated Arm	For Line Lights, Ring Lights & Flexible Light Guides	200 mm (7.87") length / 2x M6 threads	158.345	
Base	For Articulated Arm	Ø 100 mm (3.94") / 3x M6 holes	158.340	
Adapter	For Combi Light Guide	For Ø 32 mm (1.26") column	158.402	
	For Brightfield Ring Lights	Ø 66 mm (2.60")	ID Ø 50 mm to OD Ø 66 mm (1.97" to 2.60")	157.448
			ID Ø 58 mm to OD Ø 66 mm (2.28" to 2.60")	157.450
			ID Ø 60 mm to OD Ø 66 mm (2.36" to 2.60")	157.452
	For Darkfield Ring Lights	Ø 66 mm (2.60")	Working distance 30 to 50 mm (1.18" to 1.97")	157.569
			Working distance 50 to 80 mm (1.97" to 3.15")	157.567
			Working distance 80 to 110 mm (3.15" to 4.33")	157.562
	For Transmitted Light Stage	Ø 84 mm	For Base Plate Ø 90 mm (3.54")	157.630
			For Base Plate Ø 100 mm (3.94")	157.600
			For Base Plate Ø 120 mm (4.72")	157.610
For Base Plate Ø 180 mm (7.09")			157.620	

## Optical Accessories for KL Light Guides



SCHOTT provides a wide range of optical accessories to increase the flexibility of its products, which includes Transmitted Light Stages for backlight illumination, focusing lenses, as well as a large number of filters.

### Features:

- Focusing lenses can increase light intensity at the spot center by a factor of three.
- Cost-effective transmitted brightfield illumination.
- Additional contrast can be achieved using a variety of filters.

### Advantages:

- Compatible with different OEM designs.
- Polarization filters have the optimal extinction ratio.
- Color filters exhibit high transmission rates and remain unaffected by light entrance angle.

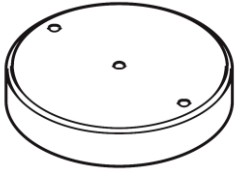
## Types

Accessories	Compatible Product		Characteristics	Part No.
Transmitted Light Stage	Flexible Light Guides	Ø up to 5.0 mm (0.20")	Ø 84 mm (3.31")	122.150
Diffuse Face Light	Flexible Light Guides	Ø 8.0 mm + 9.0 mm (0.31" + 0.35")	Active area 78 x 30 mm (3.07" x 1.18")	500.100
Focusing Lens	Flexible Light Guides & Gooseneck	Ø up to 5.0 mm (0.20")	with colour filter set: red, blue, green, yellow	158.210
	Flexible Light Guides	Ø 8.0 mm + 9.0 mm (0.31" + 0.35")		158.200
Analyzer*	Transmitted Light Stage	with Polarization Filter	M 49 x 0.75	158.215
			M 52 x 1.0	158.505
Polarization Filter	Transmitted Light Stage		Ø 84 mm (3.31")	158.500
	Annular Ring Light		Ø 66 mm (2.60")	158.430
	Focusing Lens	Ø up to 5.0 mm (0.20")	Twistable	158.205
Ø 8.0 mm + 9.0 mm (0.31" + 0.35")		Twistable	158.206	
Daylight Filter	Focusing Lens	Ø up to 5.0 mm (0.20")		158.211
Halogen Filter				158.207

\* Analyzer for specific objective types may need to be purchased from the accessory range of the microscope/objective vendor

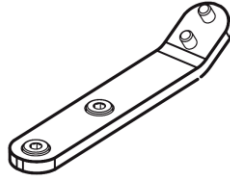
## Dimensions – Accessories for KL Light Sources

### Base



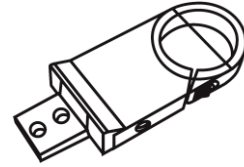
P/N: 158.340

### Mounting bracket for base



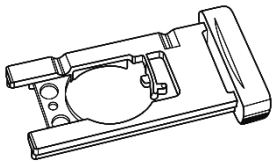
P/N: 120.250

### Mounting bracket for column



P/N: 120.220 | 120.225 | 120.229 |  
120.232 | 120.235 | 120.240

### Filter Holder



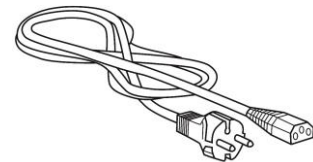
P/N: 258.330

### Insert Filter



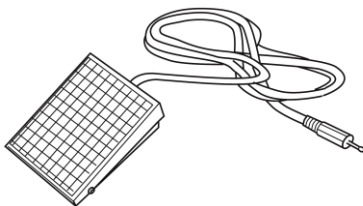
P/N: 258.302 | 258.303 | 258.304 |  
258.305 | 258.306 | 258.307 |  
258.313 | 258.314

### Power Cord



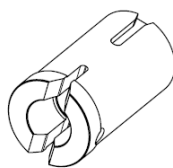
P/N: 400.051 | 400.052 | 400.053 |  
400.054

### Footswitch



P/N: 400.020

### Light Guide Adapter

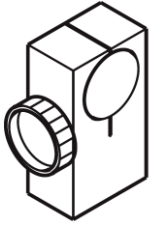


P/N: 158.321 | 158.322 | 158.323 |  
158.320

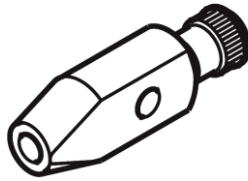
Pictures are provided for illustration purposes only, and may not provide an accurate reflection of the actual product.

## Dimensions – Mechanical Accessories for KL Light Guides

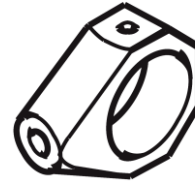
### Holder



P/N: 157.430

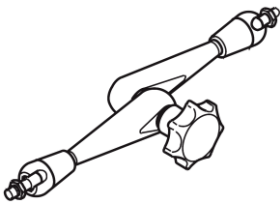


P/N: 158.330 | 158.335

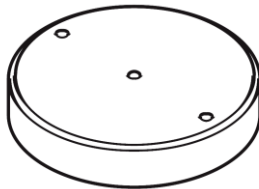


P/N: 158.341

### Articulated arm and base

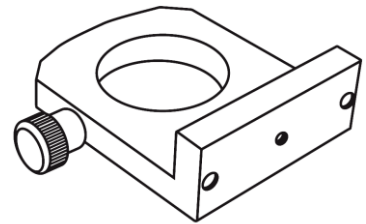


P/N: 158.345



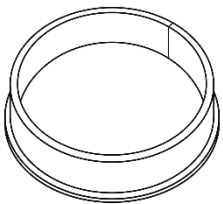
P/N: 158.340

### Adapter

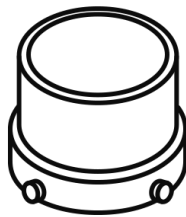


P/N: 158.402

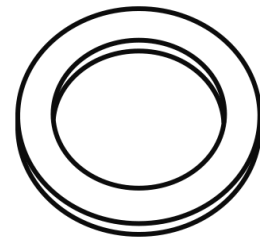
### Adapter



P/N: 157.448 | 157.450 | 157.452



P/N: 157.569 | 157.567 |  
157.562

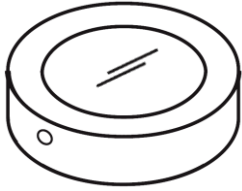


P/N: 157.630 | 157.600 |  
157.610 | 157.620

Pictures are provided for illustration purposes only, and may not provide an accurate reflection of the actual product.

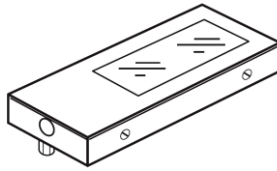
## Dimensions – Optical Accessories for KL Light Guides

**Transmitted Light Stage**



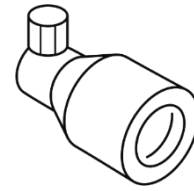
P/N: 122.150

**Diffuse Facelight**



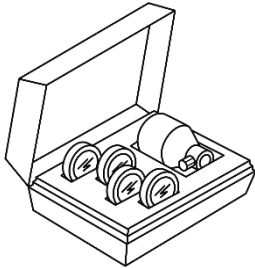
P/N: 500.100

**Focusing Lens**



P/N: 158.210 | 158.215

**Focusing Lens with filter Set**



P/N: 158.200

**Daylight & Halogen Filter**



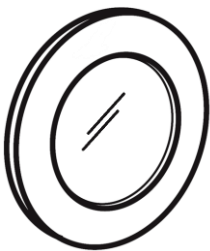
P/N: 158.211 | 158.207

**Analyzer**



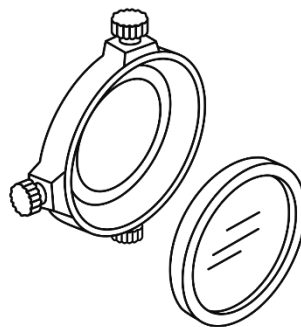
P/N: 158.505 | 158.510

**Polarizing filter for Transmitted Light Stage**



P/N: 158.500

**Polarizing filter for Annular Ring Light**



P/N: 158.430

**Polarization Filter for Focusing Lens**



P/N: 158.205 | 158.206

Pictures are provided for illustration purposes only, and may not provide an accurate reflection of the actual product.

## По вопросам продаж и поддержки обращайтесь:

Алматы (727)345-47-04  
Ангарск (3955)60-70-56  
Архангельск (8182)63-90-72  
Астрахань (8512)99-46-04  
Барнаул (3852)73-04-60  
Белгород (4722)40-23-64  
Благовещенск (4162)22-76-07  
Брянск (4832)59-03-52  
Владивосток (423)249-28-31  
Владикавказ (8672)28-90-48  
Владимир (4922)49-43-18  
Волгоград (844)278-03-48  
Вологда (8172)26-41-59  
Воронеж (473)204-51-73  
Екатеринбург (343)384-55-89

Иваново (4932)77-34-06  
Ижевск (3412)26-03-58  
Иркутск (395)279-98-46  
Казань (843)206-01-48  
Калининград (4012)72-03-81  
Калуга (4842)92-23-67  
Кемерово (3842)65-04-62  
Киров (8332)68-02-04  
Коломна (4966)23-41-49  
Кострома (4942)77-07-48  
Краснодар (861)203-40-90  
Красноярск (391)204-63-61  
Курск (4712)77-13-04  
Курган (3522)50-90-47  
Липецк (4742)52-20-81

Магнитогорск (3519)55-03-13  
Москва (495)268-04-70  
Мурманск (8152)59-64-93  
Набережные Челны (8552)20-53-41  
Нижний Новгород (831)429-08-12  
Новокузнецк (3843)20-46-81  
Ноябрьск (3496)41-32-12  
Новосибирск (383)227-86-73  
Омск (3812)21-46-40  
Орел (4862)44-53-42  
Оренбург (3532)37-68-04  
Пенза (8412)22-31-16  
Петрозаводск (8142)55-98-37  
Псков (8112)59-10-37  
Пермь (342)205-81-47

Ростов-на-Дону (863)308-18-15  
Рязань (4912)46-61-64  
Самара (846)206-03-16  
Санкт-Петербург (812)309-46-40  
Саратов (845)249-38-78  
Севастополь (8692)22-31-93  
Саранск (8342)22-96-24  
Симферополь (3652)67-13-56  
Смоленск (4812)29-41-54  
Сочи (862)225-72-31  
Ставрополь (8652)20-65-13  
Сургут (3462)77-98-35  
Сыктывкар (8212)25-95-17  
Тамбов (4752)50-40-97  
Тверь (4822)63-31-35

Тольятти (8482)63-91-07  
Томск (3822)98-41-53  
Тула (4872)33-79-87  
Тюмень (3452)66-21-18  
Ульяновск (8422)24-23-59  
Улан-Удэ (3012)59-97-51  
Уфа (347)229-48-12  
Хабаровск (4212)92-98-04  
Чебоксары (8352)28-53-07  
Челябинск (351)202-03-61  
Череповец (8202)49-02-64  
Чита (3022)38-34-83  
Якутск (4112)23-90-97  
Ярославль (4852)69-52-93

Россия +7(495)268-04-70

Казахстан +(727)345-47-04

Беларусь +(375)257-127-884

Узбекистан +998(71)205-18-59

Киргизия +996(312)96-26-47

эл.почта: [sqh@nt-rt.ru](mailto:sqh@nt-rt.ru) || сайт: <https://schott.nt-rt.ru/>