

# Кольцевые светильники серий EasyLED, ColdVision, VisiLED

## Технические характеристики

По вопросам продаж и поддержки обращайтесь:

Алматы (727)345-47-04  
Ангарск (3955)60-70-56  
Архангельск (8182)63-90-72  
Астрахань (8512)99-46-04  
Барнаул (3852)73-04-60  
Белгород (4722)40-23-64  
Благовещенск (4162)22-76-07  
Брянск (4832)59-03-52  
Владивосток (423)249-28-31  
Владикавказ (8672)28-90-48  
Владимир (4922)49-43-18  
Волгоград (844)278-03-48  
Вологда (8172)26-41-59  
Воронеж (473)204-51-73  
Екатеринбург (343)384-55-89

Иваново (4932)77-34-06  
Ижевск (3412)26-03-58  
Иркутск (395)279-98-46  
Казань (843)206-01-48  
Калининград (4012)72-03-81  
Калуга (4842)92-23-67  
Кемерово (3842)65-04-62  
Киров (8332)68-02-04  
Коломна (4966)23-41-49  
Кострома (4942)77-07-48  
Краснодар (861)203-40-90  
Красноярск (391)204-63-61  
Курск (4712)77-13-04  
Курган (3522)50-90-47  
Липецк (4742)52-20-81

Магнитогорск (3519)55-03-13  
Москва (495)268-04-70  
Мурманск (8152)59-64-93  
Набережные Челны (8552)20-53-41  
Нижний Новгород (831)429-08-12  
Новокузнецк (3843)20-46-81  
Ноябрьск (3496)41-32-12  
Новосибирск (383)227-86-73  
Омск (3812)21-46-40  
Орел (4862)44-53-42  
Оренбург (3532)37-68-04  
Пенза (8412)22-31-16  
Петрозаводск (8142)55-98-37  
Псков (8112)59-10-37  
Пермь (342)205-81-47

Ростов-на-Дону (863)308-18-15  
Рязань (4912)46-61-64  
Самара (846)206-03-16  
Санкт-Петербург (812)309-46-40  
Саратов (845)249-38-78  
Севастополь (8692)22-31-93  
Саранск (8342)22-96-24  
Симферополь (3652)67-13-56  
Смоленск (4812)29-41-54  
Сочи (862)225-72-31  
Ставрополь (8652)20-65-13  
Сургут (3462)77-98-35  
Сыктывкар (8212)25-95-17  
Тамбов (4752)50-40-97  
Тверь (4822)63-31-35

Тольятти (8482)63-91-07  
Томск (3822)98-41-53  
Тула (4872)33-79-87  
Тюмень (3452)66-21-18  
Ульяновск (8422)24-23-59  
Улан-Удэ (3012)59-97-51  
Уфа (347)229-48-12  
Хабаровск (4212)92-98-04  
Чебоксары (8352)28-53-07  
Челябинск (351)202-03-61  
Череповец (8202)49-02-64  
Чита (3022)38-34-83  
Якутск (4112)23-90-97  
Ярославль (4852)69-52-93

Россия +7(495)268-04-70

Казахстан +(727)345-47-04

Беларусь +(375)257-127-884

Узбекистан +998(71)205-18-59

Киргизия +996(312)96-26-47

эл.почта: [sqh@nt-rt.ru](mailto:sqh@nt-rt.ru) || сайт: <https://schott.nt-rt.ru/>

# EasyLED Ring Lights

for stereo microscopy



The EasyLED Ring Light delivers highly homogeneous and shadow-free illumination in a tough metal housing and well-designed heat sink. The EasyLED Ring Light Plus has the advantage of controllable segments to enable new contrasting methods, while the integrated 'jog dial' element provides simple and intuitive switching between illumination modes, as well as rotation of the segments in both directions.

### Features:

- Powerful luminance (90/140 klux for EasyLED Ring Light and Ring Lights Plus respectively).
- Integrated controller.
- Mountable direct to the microscope objective.
- EasyLED Ring Light Plus is segmentable with eight segments.

### Advantages:

- Various contrasting methods thanks to different segment modes.
- Easy to use thanks to integrated operational elements.
- Robust design for operation in demanding environments.

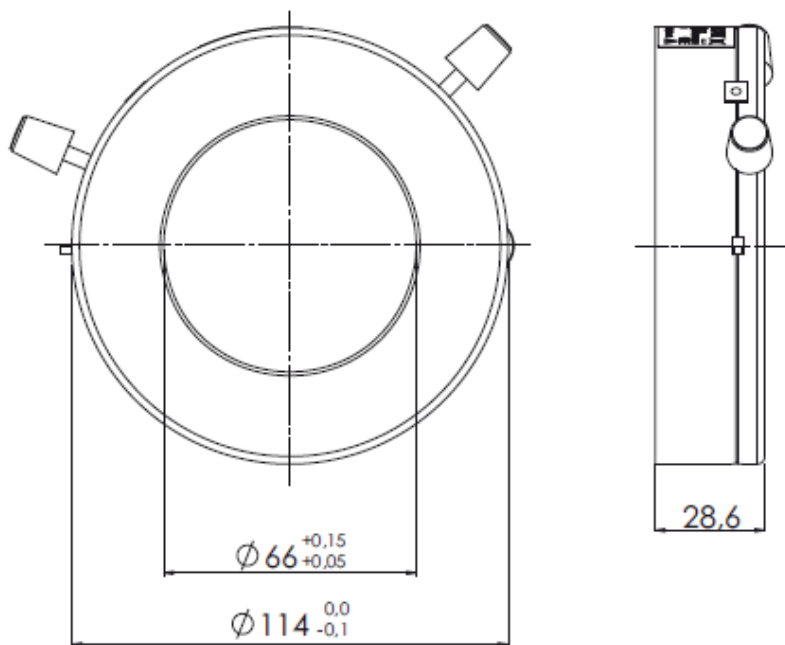
## Technical Specifications:

General		EasyLED Ring Light	EasyLED Ring Light Plus
Part No.		600.200	600.300
Dimensions – (OD x H, ID)	(mm / inch)	114 x 29, 66 / 4.49" x 1.14, 2.60"	
Weight	(kg)	Approx. 0.6	
Free Working Distance	(mm / inch)	55 - 135 / 2.17" - 5.31"	50 – 130 / 1.97" - 5.12"
Cooling		convection	
<b>Electrical</b>			
Operating voltage, frequency		100 – 240 V ~, 50 – 60 Hz	
Input voltage	(V)	12 DC	
Power consumption	(VA)	max. 6	
Protection class power supply		II	
Protection class light head		III	
Overvoltage category		I	
Lamp type		High Power LEDs	
Lamp lifetime	(h)	50.000 <sup>1</sup>	
<b>Lighting information</b>			
Light intensity, max.	(lx)	90.000 at a working distance of 75 mm	140.000 at a working distance of 65 mm
Color temperature	(K)	Approx. 5.600	
<b>Certificates</b>			
Conformity		CE, UKCA (power supply unit CE, UL, PSE)	
EMC-class		B	

<sup>1</sup> max. decline of light output to 70% of origin level

We provide a variety of accessories for our EasyLED Series. For details please refer to our system diagrams or according datasheets.

## Dimensions



Pictures are provided for illustration purposes only, and may not provide an accurate reflection of the actual product.

# ColdVision Ring Lights

for ColdVision light sources



SCHOTT ColdVision Ring lights offer absolute shadow-free illumination. Using a range of diameters and mechanical adapters, the ring lights can be configured to fit many different objective sizes.

## Features:

- The "Universal Ring Light" fits microscope and camera objectives from 33 to 81 mm with appropriate clamps
- 4" Ring Light is available with randomized fiber bundle for optimum uniformity.
- With housing made of rugged, black anodized aluminum, and the fiber bundle protected with flexible metal PVC sheathing, SCHOTT Ring Lights are tough, dependable and long-lasting.

## Advantages:

- Annular Ring Lights offer absolute shadow-free illumination.
- Vertical exit bundle option increases work space and prevents the bundle from interfering with surrounding objects.
- ESD (Electro Static Discharge) option is available.

## Mini, Midi and Maxi Ring Light

Description	Part No.	Working distance (FWD)	Objective Diameter	Inner Ø (ID)	Outer Ø (OD)	Bundle length	Polarizer / Analyzer
Mini Ring Lights	A08650*	0.5" - 1.5" (13 - 38 mm)	19 to 32.5 mm	1.28" (32,5 mm)	2" (50.8 mm)	40" (1016 mm)	A08652*
	A08660* <sup>1</sup>	1.5" - 4" (38 - 102 mm)		1.28" (32,5 mm)	2" (50.8 mm)		A08652*
Midi Ring Lights	A08630*	1.25" - 3.5" (32 - 89 mm)	38 to 53 mm	2.09" (53,1 mm)	2,31" (58,7 mm)		A08632
Maxi Ring Lights	A08700* <sup>23</sup>	2" - 8" (51 - 203 mm)	N/A	4" (102 mm)	9.98" (127 mm)	30" (762 mm)	A08705
	A08710* <sup>3</sup>	2.5" - 4.5" (64 - 114 mm)	N/A	7.5" (191 mm)	8.95" (227 mm)	40" (1016 mm)	-

## 66mm & Universal Ring Light

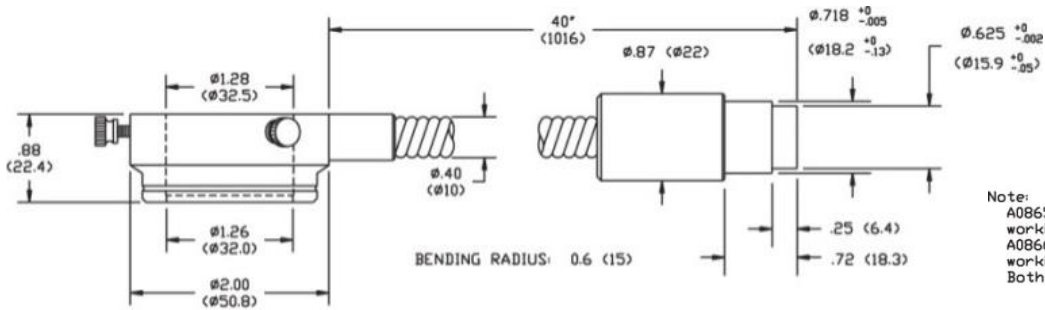
Description	Part No.	Exit	Working distance (FWD)	Objective Diameter	Bundle length (K)	Polarizer / Analyzer
66 mm Ring Light	A08625	Standard	1.5" - 6" (38 - 152mm)	66mm	33" (838mm)	A08615
Universal Ring Light	A08600	Standard	1.5" - 6" (38 - 152 mm)	1.9" - 2.4" (47 - 62 mm)	33" (838 mm)	A08615

## Darkfield Ring Light

Description	Part No.	Exit	Working distance (FWD)	Inner Ø (ID)	Outer Ø (OD)	Bundle length (K)
Darkfield Ring Light	A22780 <sup>4</sup>	Standard	0" - 0.25" (0 - 6.35mm)	4.03" (102mm)	5.25" (134mm)	30" (762mm)

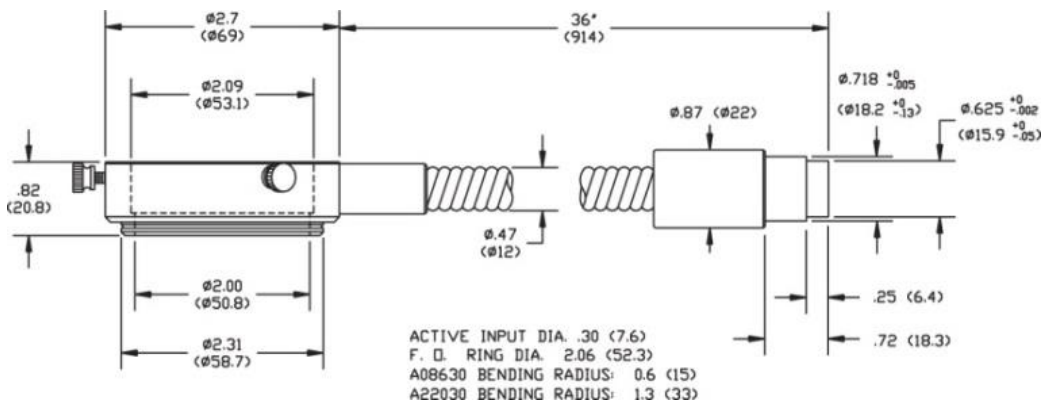
## Mini, Midi and Maxi Ring Lights: Dimensions

Ringlight Input: Black Anodized Aluminum or Conductive Finish  
 Bundle Sheathing: PVC Covered Metal Tubing or Stainless Steel

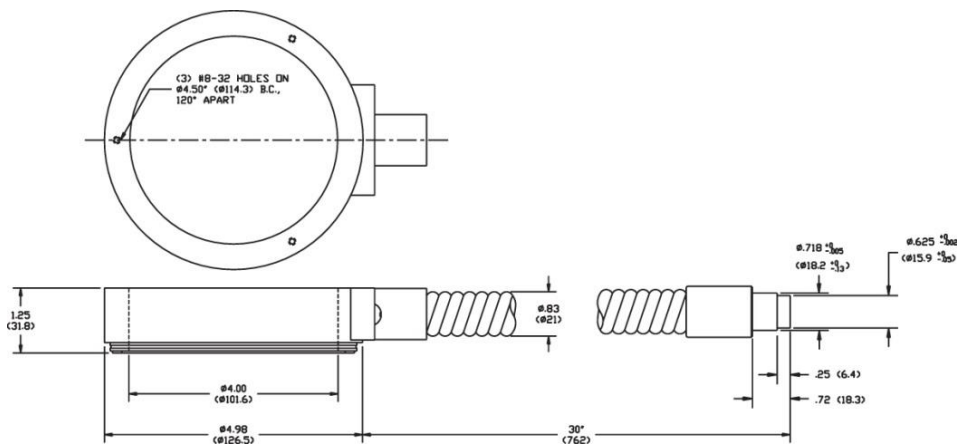


Note:  
 A08650 has an active fiber dia. of .22 (5.6) for a working distance of .5 to 1.5' (13 to 38mm).  
 A08660 has an active fiber dia. of .25 (6.4) for a working distance of 1.5 to 4' (38 to 102mm).  
 Both have F. D. ring dia. of 1.32 (33.5).

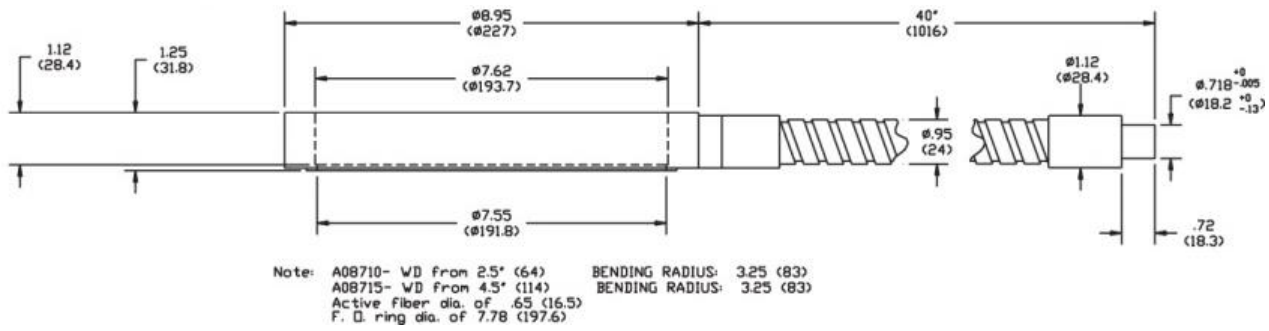
### A08650 & A08660 - 19 / 32.5 mm Ring Lights



### A08630 - 38 / 53 mm Ring Light

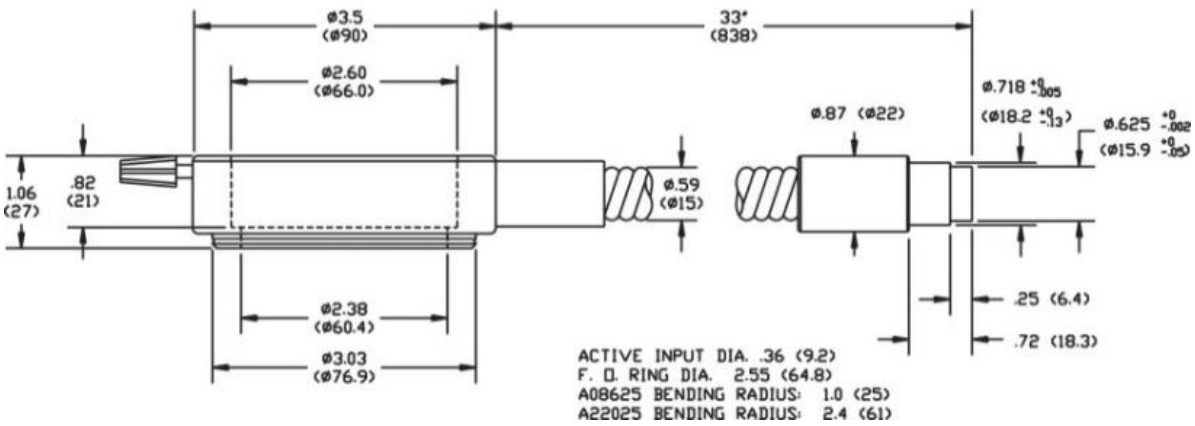
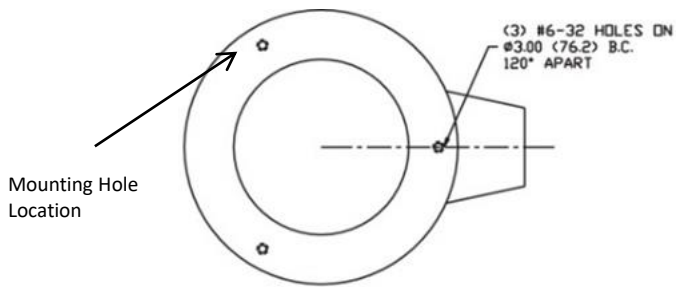


### A08700 - 4" Ring Light



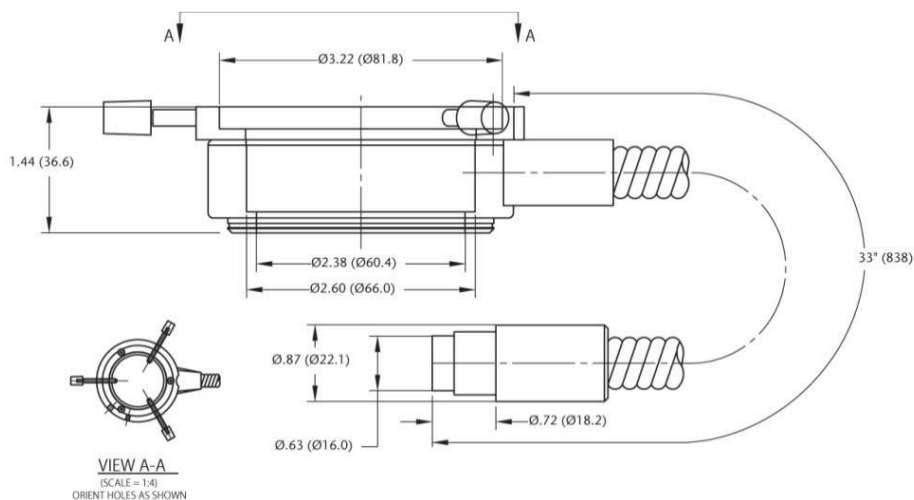
A08710 - 8" Ring Light

58 and 66mm Ring Light: Dimensions

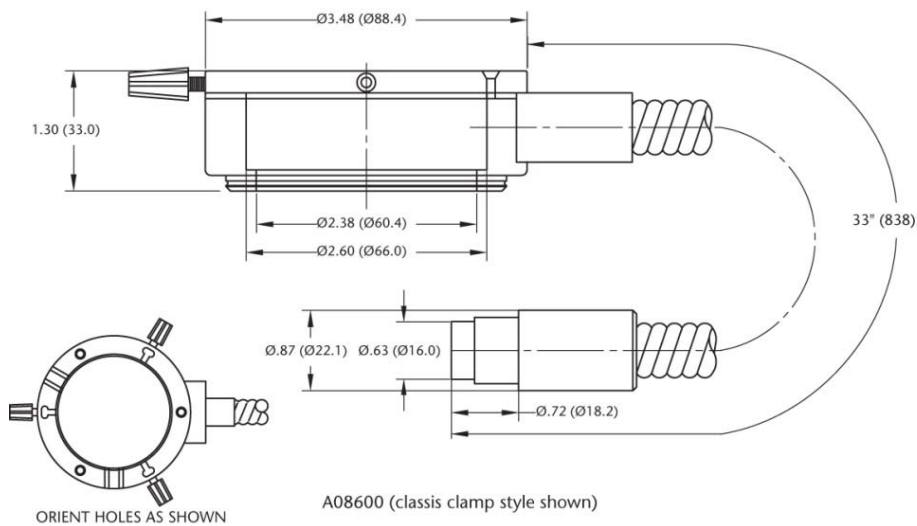


A08625

### Universal Ring Light: Dimensions

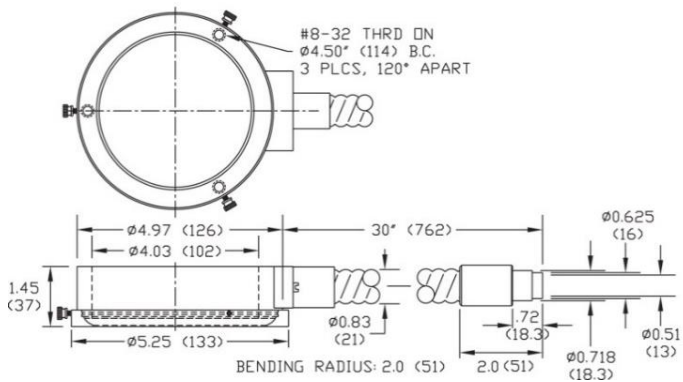


### A08600.1 with new clamp style



A08600 (class clamp style shown)

### Darkfield Ring Light: Dimensions



### A22780

## По вопросам продаж и поддержки обращайтесь:

Алматы (727)345-47-04  
Ангарск (3955)60-70-56  
Архангельск (8182)63-90-72  
Астрахань (8512)99-46-04  
Барнаул (3852)73-04-60  
Белгород (4722)40-23-64  
Благовещенск (4162)22-76-07  
Брянск (4832)59-03-52  
Владивосток (423)249-28-31  
Владикавказ (8672)28-90-48  
Владимир (4922)49-43-18  
Волгоград (844)278-03-48  
Вологда (8172)26-41-59  
Воронеж (473)204-51-73  
Екатеринбург (343)384-55-89

Иваново (4932)77-34-06  
Ижевск (3412)26-03-58  
Иркутск (395)279-98-46  
Казань (843)206-01-48  
Калининград (4012)72-03-81  
Калуга (4842)92-23-67  
Кемерово (3842)65-04-62  
Киров (8332)68-02-04  
Коломна (4966)23-41-49  
Кострома (4942)77-07-48  
Краснодар (861)203-40-90  
Красноярск (391)204-63-61  
Курск (4712)77-13-04  
Курган (3522)50-90-47  
Липецк (4742)52-20-81

Магнитогорск (3519)55-03-13  
Москва (495)268-04-70  
Мурманск (8152)59-64-93  
Набережные Челны (8552)20-53-41  
Нижний Новгород (831)429-08-12  
Новокузнецк (3843)20-46-81  
Ноябрьск (3496)41-32-12  
Новосибирск (383)227-86-73  
Омск (3812)21-46-40  
Орел (4862)44-53-42  
Оренбург (3532)37-68-04  
Пенза (8412)22-31-16  
Петрозаводск (8142)55-98-37  
Псков (8112)59-10-37  
Пермь (342)205-81-47

Ростов-на-Дону (863)308-18-15  
Рязань (4912)46-61-64  
Самара (846)206-03-16  
Санкт-Петербург (812)309-46-40  
Саратов (845)249-38-78  
Севастополь (8692)22-31-93  
Саранск (8342)22-96-24  
Симферополь (3652)67-13-56  
Смоленск (4812)29-41-54  
Сочи (862)225-72-31  
Ставрополь (8652)20-65-13  
Сургут (3462)77-98-35  
Сыктывкар (8212)25-95-17  
Тамбов (4752)50-40-97  
Тверь (4822)63-31-35

Тольятти (8482)63-91-07  
Томск (3822)98-41-53  
Тула (4872)33-79-87  
Тюмень (3452)66-21-18  
Ульяновск (8422)24-23-59  
Улан-Удэ (3012)59-97-51  
Уфа (347)229-48-12  
Хабаровск (4212)92-98-04  
Чебоксары (8352)28-53-07  
Челябинск (351)202-03-61  
Череповец (8202)49-02-64  
Чита (3022)38-34-83  
Якутск (4112)23-90-97  
Ярославль (4852)69-52-93

Россия +7(495)268-04-70

Казахстан +(727)345-47-04

Беларусь +(375)257-127-884

Узбекистан +998(71)205-18-59

Киргизия +996(312)96-26-47

эл.почта: [sqh@nt-rt.ru](mailto:sqh@nt-rt.ru) || сайт: <https://schott.nt-rt.ru/>